

TLB

series



Product Segments

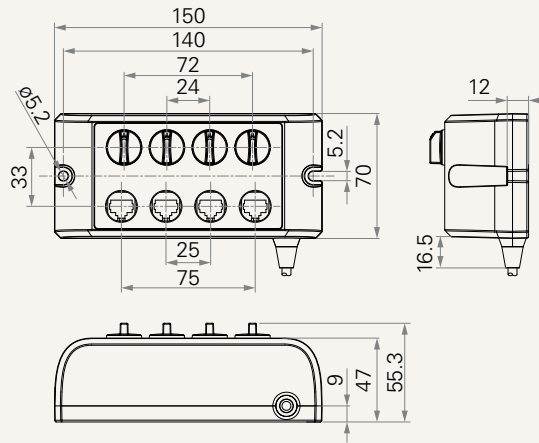
- **Care Motion**

General Features

Actuator lock box and hand control hub
Suitable for nurse/attendant safety control

Drawing

Standard Dimensions
(mm)



TLB

Version: 20191009-E

Number of Locking Selector Switch	0 = 0 1 = 1	2 = 2 3 = 3	4 = 4
Color	1 = Black	2 = Grey (Pantone 428C)	
Membrane	A~T = A~T* Note: please contact TiMOTION before making an order		
Plug	4 = DIN8P	5 = RJ10Pin	
Plug Angle	1 = 180°	2 = 90°	
Cable Length (mm)	1 = Straight, 500	2 = Straight, 1000	

Terms of Use

The user is responsible for determining the suitability of TiMOTION products for a specific application. TiMOTION products are subject to change without prior notice.